

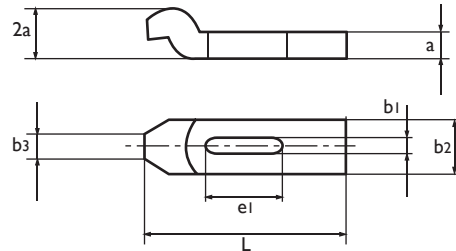
## BRIDA ACODADA

Neck clamps  
Bridas coudees



**DIN 6316**

Material: Forjado / Forged Material



Ref.	b1 (mm)	L (mm)	M	b3 (mm)	b2 (mm)	a (mm)	e1 (mm)
8001	9	80	M-8	12	25	12	25
8002	11	100	M-10	15	30	15	32
8003	14	125	M-12 M-14	20	40	20	40
8004	18	125	M-16	25	50	25	50
8005		160	M-18				

Ref.	b1 (mm)	L (mm)	M	b3 (mm)	b2 (mm)	a (mm)	e1 (mm)
8006	22	160	M-20	30	60	30	70
8007		200					
8008	26	200	M-24	35	70	35	80
8009		250					

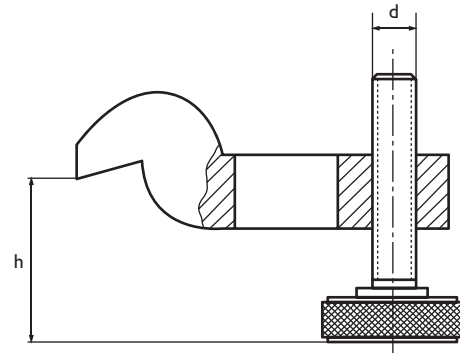
## BRIDA ACODADA REGULABLE

Ajustable neck clamps  
Bridas coudees regulables

**DIN 6316 T**



Ref.	b1 x L (mm)	h (mm)	d (mm)
8011	11 x 100	23 - 42	M-10
8012	14 x 125	30 - 53	M-12
8014	18 x 160	38 - 65	M-16
8016	22 x 200	46 - 83	M-20
8017	24 x 250	53 - 100	M-24



## TORNILLO DE REGULACIÓN

Adjuster screw  
Vis de reglage

**N° 63141**



Ref.	d1 (mm)	d2 (mm)	l1 (mm)	L (mm)
114001	M-10	30	40	50
114002	M-12	35	40	50
114004	M-16	40	57	70
114005	M-20	50	65	80
114006	M-24	60	72	90

